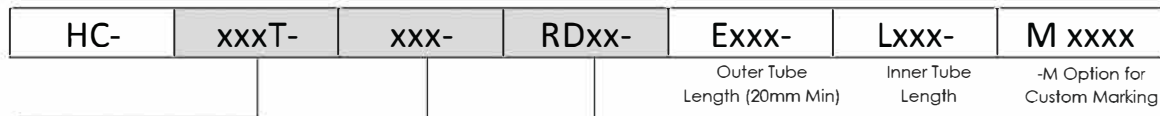
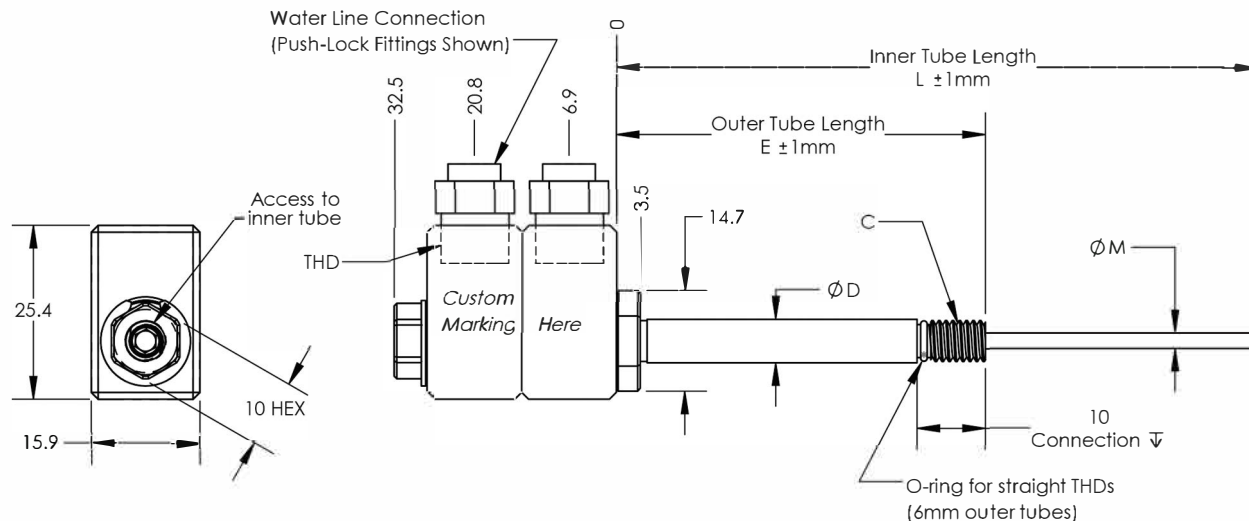


JET COOLERS

DUAL ROTATING HEAD JET COOLER WITH THREADED CONNECTION



All dimensions in mm

Outer Tube Ø	Ø D	C	Inner Tube Ø	Ø M	Ø B	Ø Hole
060	6	M6x1.0	012	1.2	6.2	1.7
			015	1.5		2.0
			018	1.8		2.4
			023	2.3		3.0
080	8	1/16 PIPE THREAD*	012	1.2	NA	1.7
			015	1.5		2.0
			018	1.8		2.4
			023	2.3		3.0
100	10	1/8 PIPE THREAD*	018	1.8	NA	2.4
			023	2.3		3.0
			028	2.8		3.6
			032	3.2		4.2

Water Line Connection	Size
BP	1/8 BSPT Push-Lock for Ø4mm Tube
B6	1/8 BSPT Push-Lock for Ø6mm Tube
B8	1/8 BSPT Push-Lock for Ø8mm Tube
BT	1/8 BSPT Thread Only
NP	1/8 NPT Push-Lock for Ø5/32 Tube
NT	1/8 NPT Thread Only

Ex: HC-080T-018-RDBP-E150-L200-M 123
 (Ø8.0mm outer tube with a 1/16 BSPT thread, Ø1.8mm inner tube, 1/8 BSPT pushlocks fittings for a 4mm tube water line connection, E length of 150mm, L length of 200mm, and a custom marking of 123)

Ex: HC-100T-023-RDNT-E175-L210
 (Ø10.0mm outer tube with a 1/8 NPT thread, Ø2.3mm inner tube, 1/8 NPT threads for the water line connection, E length of 175mm, L length of 210mm)

*For RDBX option, the outer tube pipe thread is BSPT
 For RDNX option, the outer tube pipe thread is NPT

Core Pin Recommended Mounting

